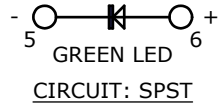
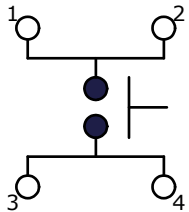


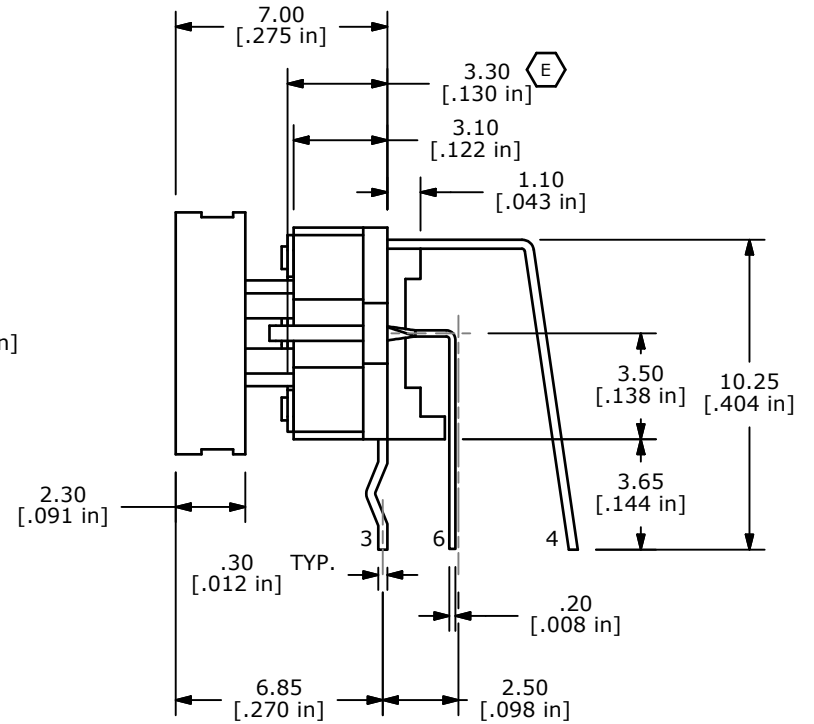
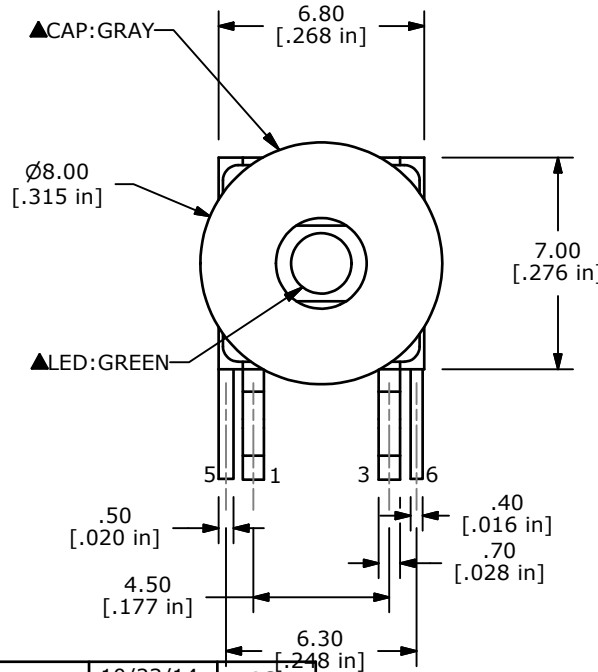
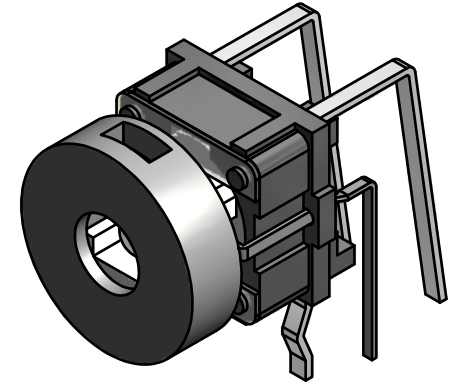
P.C.B. LAYOUT



NOTES:

1. ALL DIMENSIONS IN MM [INCH]
2. GENERAL TOLERANCE: X.X=±0.4
X.XX=±0.25
3. RATING: 12VDC @ 50mA
4. CONTACT RESISTANCE: 100mΩ MAX.
5. INSULATION RESISTANCE: 100MΩ MIN.
- ▲ 6. OPERATING FORCE: 160±50gf
7. TRAVEL: 0.2±0.1mm
8. OPERATING TEMPERATURE: -20°C TO 70°C
9. OPERATING LIFE 500,000 CYCLES (E)
- ▲ 10. LED COLOR: GREEN
11. ▲ DENOTES CRITICAL PARAMETER
12. 2002/95/EC (ROHS) COMPLIANT
13. PACKAGING: 100 PIECES PER TRAY (F)

LED SPECS	UNITS	GREEN
FORWARD CURRENT	mA	20 TYP.
FORWARD VOLTAGE	V	2.1 TYP. - 2.5 MAX.
LUMINOUS INTENSITY	MCD	800 TYP.



F	21661	ADDED NOTE 13	10/23/14	AS
E	19956	CORRECT NOTES / LED CHART / DIM	05/20/11	BMA
D	19542	UPDATE DRAWING	12/21/10	BGL
C	18175	Chg LED, updated Spec's	7/8/08	rc
B	17282	ADD GEN. TOLERANCE NOTE	5/11/07	TN
REV	PCR NO	DESCRIPTION	DATE	BY



TITLE TL1260GQRGRY

SCALE	DATE	DR	DWG	REV
4:1	5/11/2007	TN	B200006	F

THE INFORMATION CONTAINED IN THIS DOCUMENT IS PROPRIETARY TO E-SWITCH AND IS NOT TO BE COPIED OR TRANSFERRED